

# Coastworks

Coastworks Operations Ltd  
8 Allanton Park Terrace  
Fairlie  
Ayrshire KA29 0AW

Tel: +44 (0) 1475 568572  
Fax: +44 (0) 1475 568153



## **CW-6565 Backhoe Spudleg Barge**

MCA UK Loadline Exemption Certificate

A heavily constructed ex US Navy steel barge with scow ends, the aft of which is fitted with skegs. The barge has a flat deck with a recessed area, which can accommodate an excavator up to 150T.

The barge has been retro fitted with side tanks increasing the deck area and buoyancy. The barge is equipped with 2 x 22m independently hydraulically operated spudlegs.

Dimensions: 36.6m x 13m x 3m

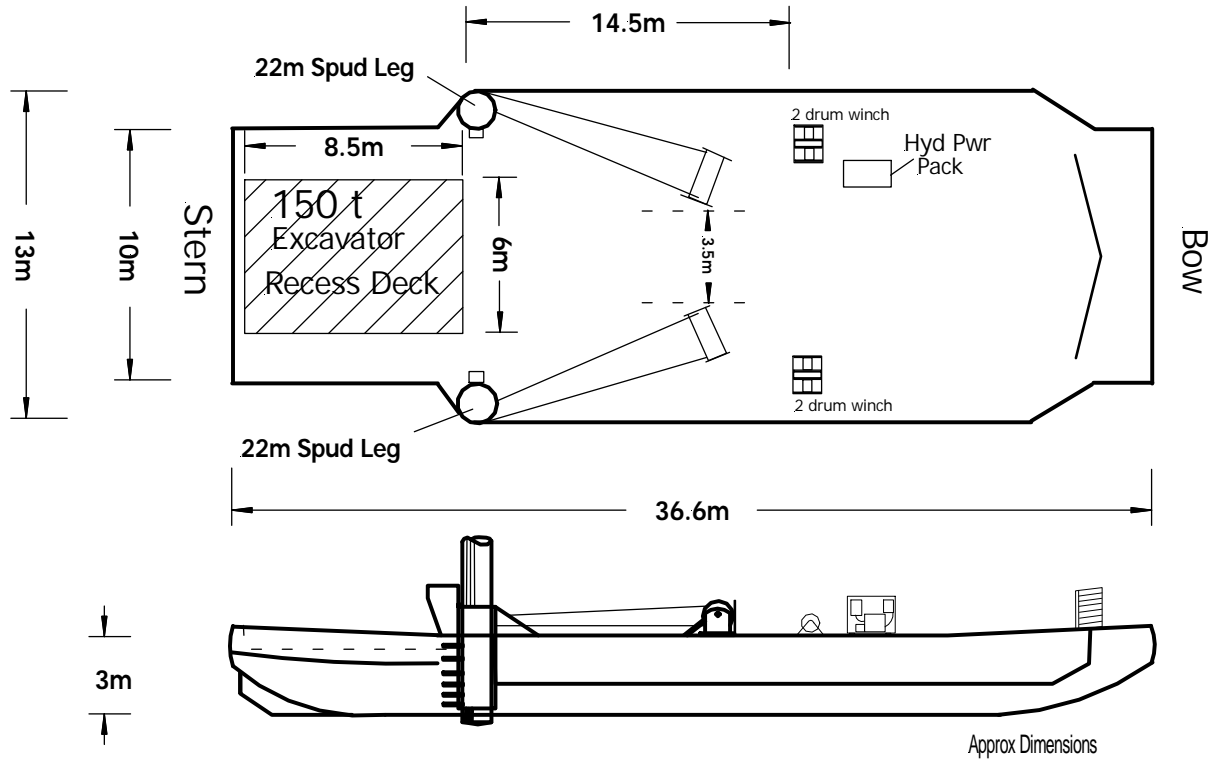
Deck Equipment: Twin 22m hydraulically operated 22T spudlegs

Winches: 2 x 4T double drum winches

Engines: Hatz hydraulic powerpack

Excavator: 150T maximum

# Coastworks



## CW-6565 Backhoe Spudleg Barge

