

Coastworks

Coastworks Operations Ltd
8 Allanton Park Terrace
Fairlie
Ayrshire KA29 0AW

Tel: +44 (0) 1475 568572
Fax: +44 (0) 1475 568153



900m³ Splithopper barge

CLASS:

I ⚓ HULL • MACH
Split hopper unit - no propulsion
Unrestricted navigation
Dredging within 15 miles from shore or within 20 miles from port

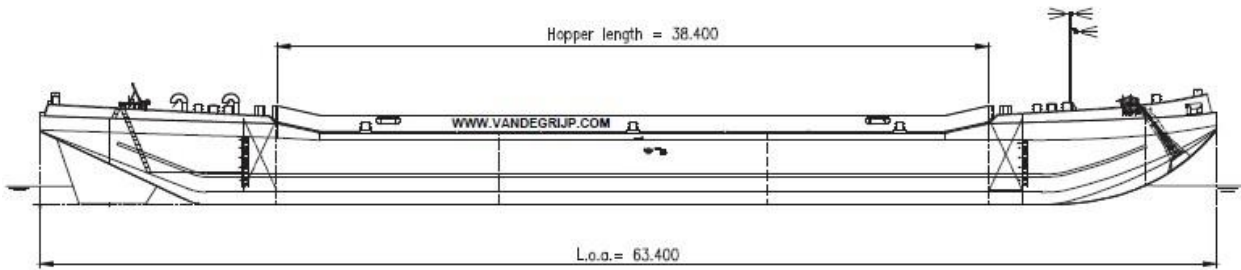
SPECIFICATIONS:

Hopper volume	920 m ³	Bottom opening	3,35 m
Length	63,40 m	Air Draft Empty	5,40 m
Beam	10,64 m	Max. Load (Inland)	1.630 Ton
Depth	3,87 m	Max. Load (Dredge Mark)	1.500 Ton
Draft Empty	0,99 m	Hopper Length	38,40 m
Draft Loaded (inland)	3,83 m	Hopper Width	7,90 m
Draft (Dredge Mark)	3,55 m	Two Smit towing brackets	150t SWL

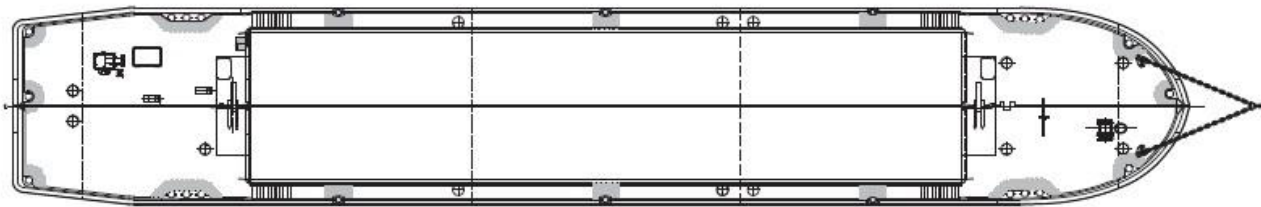


Split hopper barge 900 m³ series

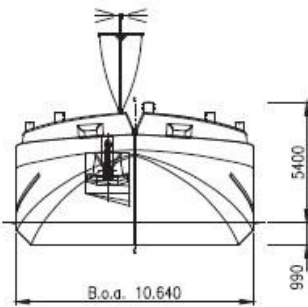
SIDE VIEW



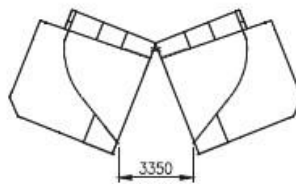
VIEW ON DECK



VIEW ON BOW



OPEN HOPPER



SECTION HOPPER

